

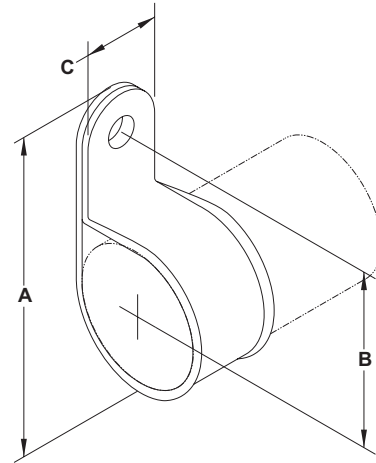


## Hanger and Hanger / Restrainer Combination for CPVC Pipe

22

### Technical Features

- Available for pipe sizes (Nominal) : DN20<sup>3/4"</sup>, DN25<sup>1"</sup>, DN32<sup>1 1/4"</sup>, DN40<sup>1 1/2"</sup>, DN50<sup>2"</sup>.
- Material : Carbon steel
- Finish : Pre-galvanized
- Features : Flared edge design protects CPVC pipe from rough surfaces. Includes one 10 x 1" hex-head self-threading screw and washer for attachment to wood structure. Fastener for use on light gauge metal is available.



Pipe Support

### Hanger and Hanger / Restrainer Combination for CPVC Pipe - 22

Physical Data

| Nominal Pipe Size |        | Dimensions (mm / inch) |             |             | Max. Hanger Spacing (m / ft) | Box Quantity | Box Weight (kg / lbs) | Fastener Hex Head Size (in) | Reference |
|-------------------|--------|------------------------|-------------|-------------|------------------------------|--------------|-----------------------|-----------------------------|-----------|
| Metric            | inch   | A                      | B           | C           |                              |              |                       |                             |           |
| DN20              | 3/4"   | 62,2 / 2.45            | 33,5 / 1.32 | 30,2 / 1.19 | 1,68 / 5.5'                  | 100          | 3,4 / 9.0             | 5/16"                       | 22-75     |
| DN25              | 1"     | 59,4 / 2.34            | 36,8 / 1.45 | 30,2 / 1.19 | 1,83 / 6'                    | 100          | 3,4 / 9.0             | 5/16"                       | 22-0100   |
| DN32              | 1 1/4" | 78,0 / 3.07            | 41,9 / 1.65 | 30,2 / 1.19 | 1,98 / 6.5'                  | 100          | 4,1 / 11.0            | 5/16"                       | 22-0125   |
| DN40              | 1 1/2" | 84,3 / 3.32            | 44,5 / 1.75 | 30,2 / 1.19 | 2,13 / 7'                    | 100          | 4,5 / 12.0            | 5/16"                       | 22-0150   |
| DN50              | 2"     | 95,3 / 3.75            | 54,6 / 2.15 | 30,2 / 1.19 | 2,44 / 8'                    | 100          | 5,6 / 15.0            | 5/16"                       | 22-0200   |

### Notes

This product is intended to support CPVC piping used in sprinkler systems. The product acts as a hanger when tab is upward and the fastener is fastened horizontally (Fig.1). It can be installed on top of a beam with the fastener fastened vertically (Fig.2), but this acts as a guide to the piping which is supported by the beam itself. It is not intended to support piping installed under a flat horizontal surface, such as a ceiling. This type of installation requires the use of Fig. 23. When this product is inverted with the tab downward it can function as a restrainer to prevent more than 6,1mm (<sup>3/16"</sup>) upward movement of the sprin-

kler head when activated. Two hangers are required for use as a restrainer (Fig.3). The restrainer shall be located not more than 30.5cm (12") from the sprinkler head being restrained. When using the accompanying hex-head self-threading screw, the use of a cordless drill fitted with a hex socket is recommended for installation. If other fasteners are used, they must equal or exceed the diameter of a #10 x 1" self-threading screw. No impact tools (such as hammers) or impact fasteners (drive screws or nails) are permitted, as they could damage the CPVC pipe.

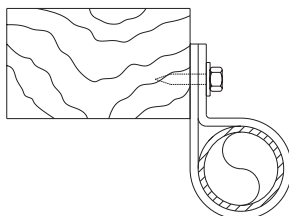


Figure 1  
(Hanger)

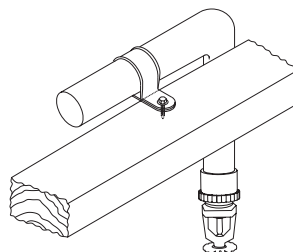


Figure 2  
(Guide)

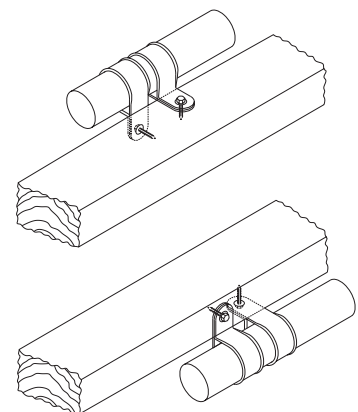


Figure 3  
(Hanger /  
Restrainer)